



Datasheet: BM-8-411 mount

- Stainless steel mount
- Easy load cell access
- Self aligning construction
- Lift-off protection

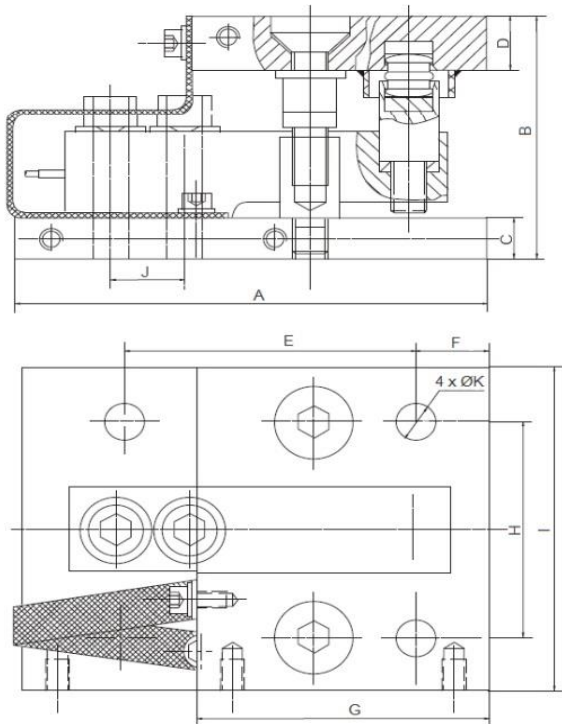


- Controlled horizontal movement
- For Load cell: BM8H

Specification:

Specifications	BM-8-411	
Capacity	0.5 - 2 t	5 t
Maximum vertical force (down) without load cell	15 kN	30 kN
Maximum vertical force (up)	10 kN	20 kN
Maximum horizontal force (any direction)	5 kN	10 kN
Maximum horizontal movement	+2 / -2 mm	+2 / -2 mm
Material	2Cr13	2Cr13

Outline Dimensions in mm



Dim	0.5 - 2t	5t
A	160	185
B	90	125
C	15	20
D	20	20
E	100	135
F	25	25
G	100	120
H	80	100
I	120	150
J	25.4	38.1
K	14	18